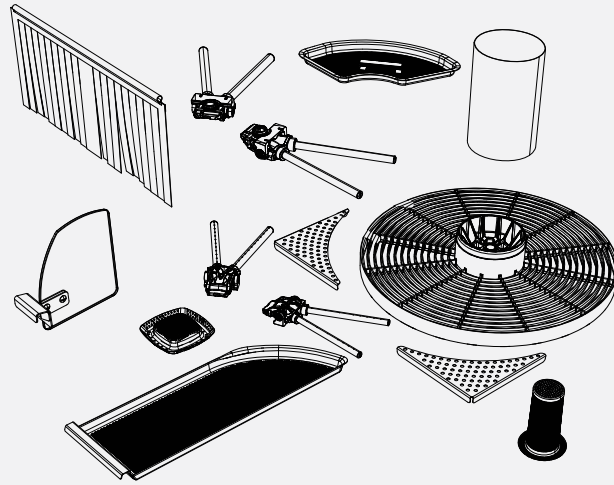


DAILY OPERATION INSTRUCTIONS

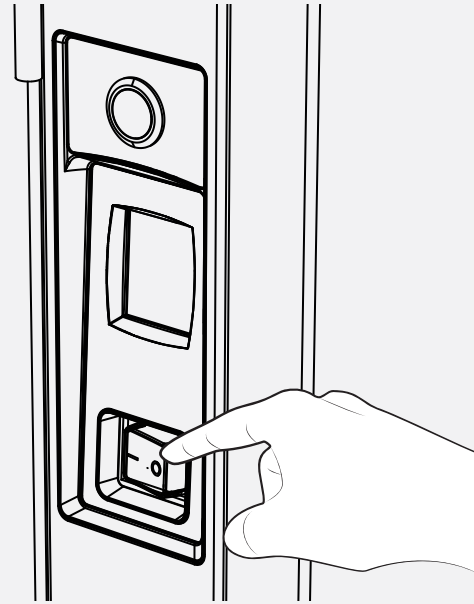
GLASSWASHER

For more details, refer to manual.

- 1** All items must be installed before running machine.



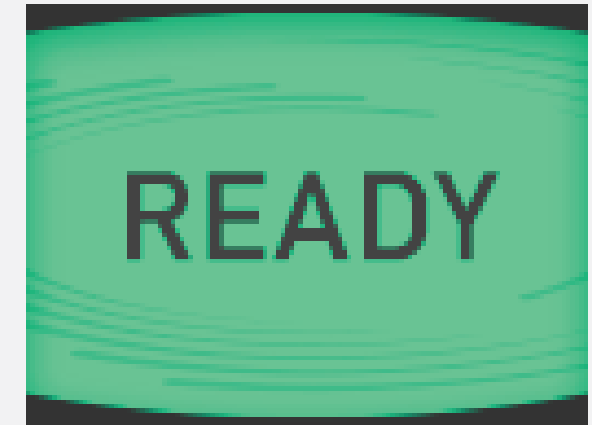
- 2** Turn ON/OFF switch to ON Position.



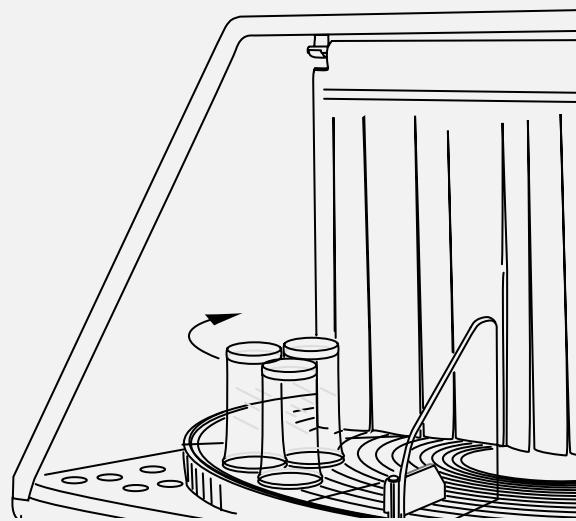
- 3** Wait for machine to fill.



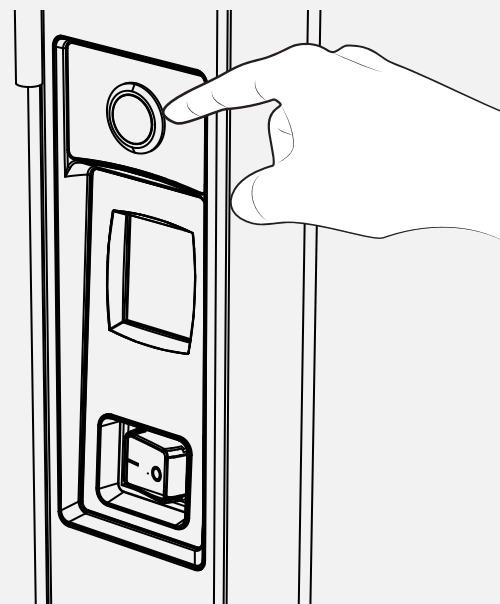
- 4** "READY" will appear when conveyor can be started.



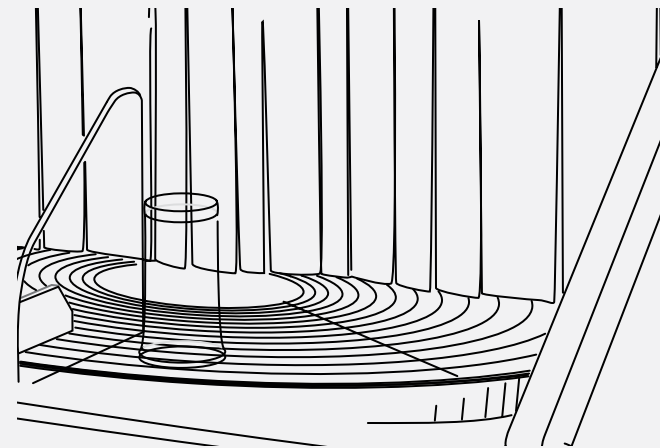
- 5** Load glasses on to conveyor.



- 6** Press the start/stop button start conveyor.



- 7** Conveyor will automatically stop. Remove glass to continue operation.



- 8** Turn ON/OFF switch to OFF Position, follow cleaning instructions.

