

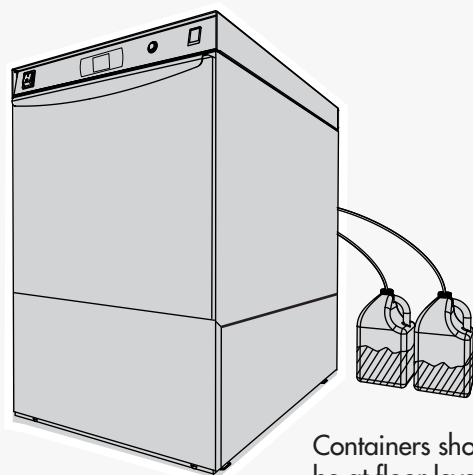
DAILY OPERATION

UNDERCOUNTER

HT
MODELS

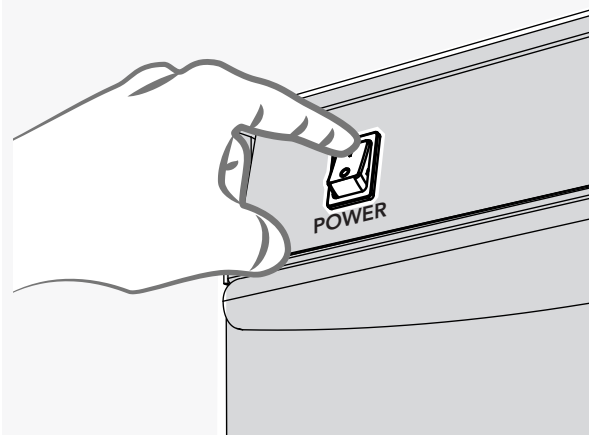
0514007-REV A - 8-SEPT-2014

- 1** Check chemical levels in containers

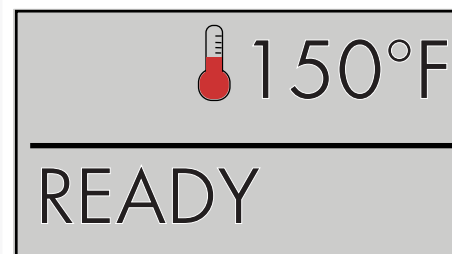


Containers should be at floor level.

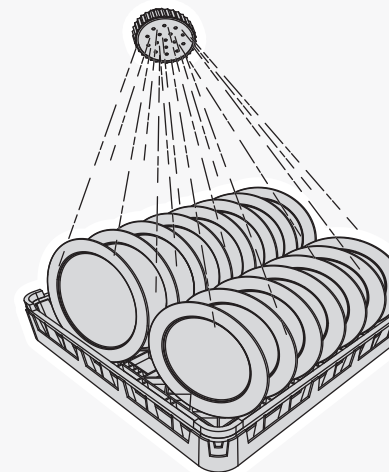
- 2** Flip **ON/OFF** switch to **ON** position



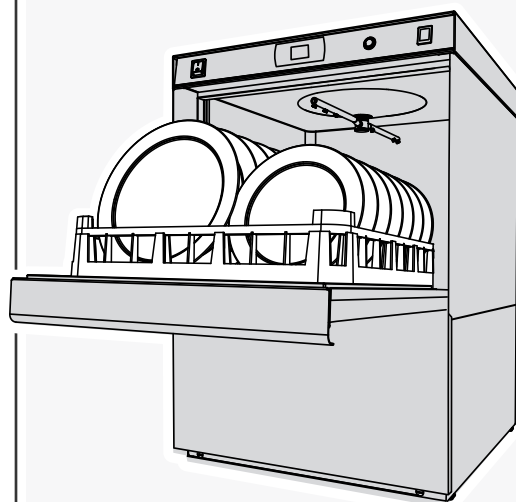
- 3** Wait for temperature gauge to read 150°F/66°C



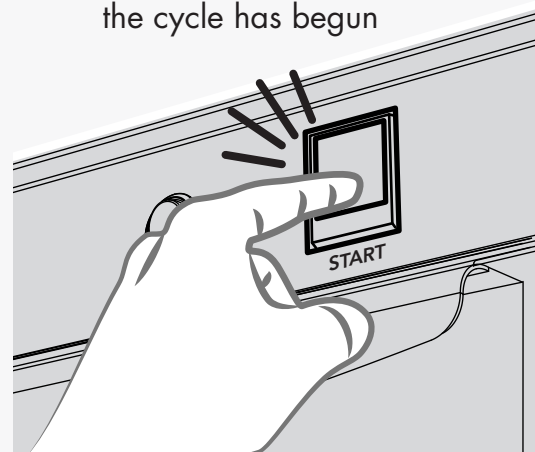
- 4** Prescrap wares and load into rack



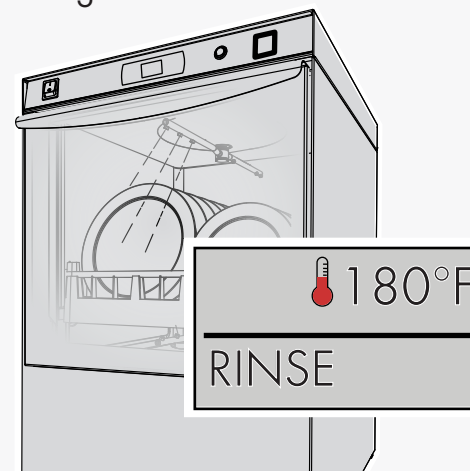
- 5** Load rack into dishwasher



- 6** Close door, press and hold **START** button for 1 second and green in-cycle light will indicate the cycle has begun



- 7** Final rinse temperature should be a minimum of 180°F/82°C during final rinse.



- 8** Wash cycle is extended if incoming water temperature is below requirements.



The cycle is completed when the green light is no longer lit.

You may now remove your clean wares.

Exercise caution handling wares as they may be hot.